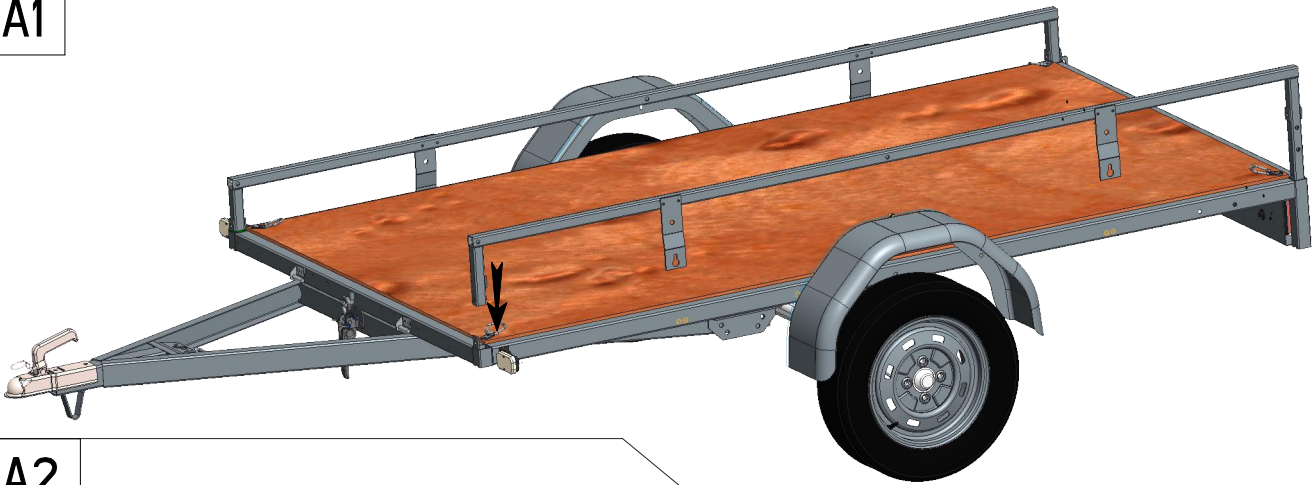
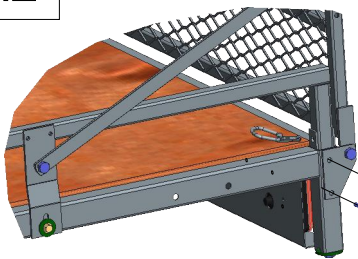


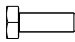

NOTICE MONTAGE PLC

A1





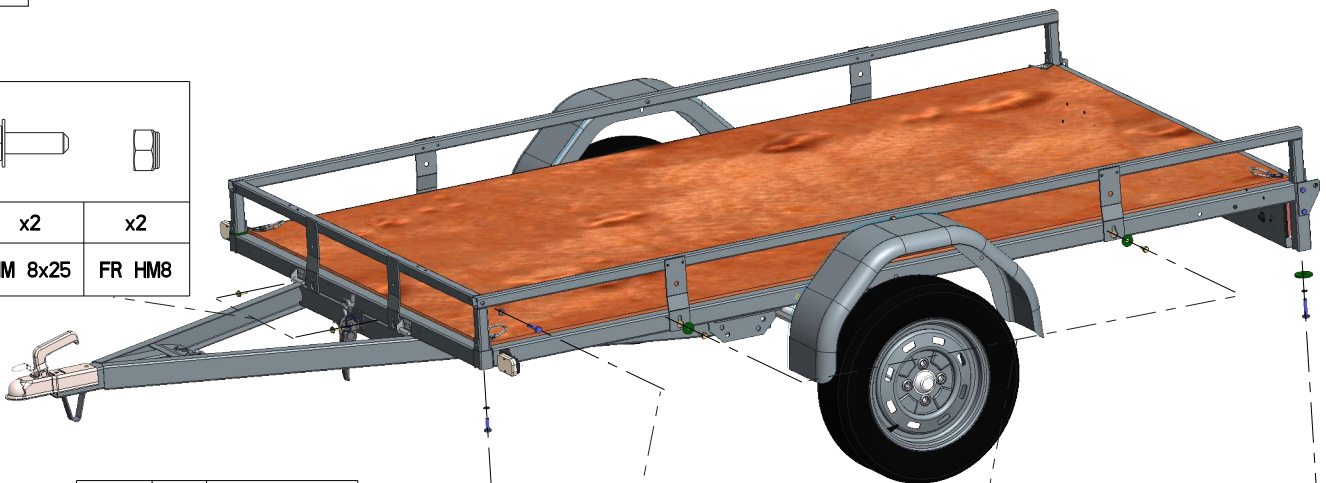
A2







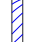
	
x2	x2
HM 8x55	FR HM 8



B



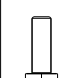
	
x2	x2
HM 8x25	FR HM8

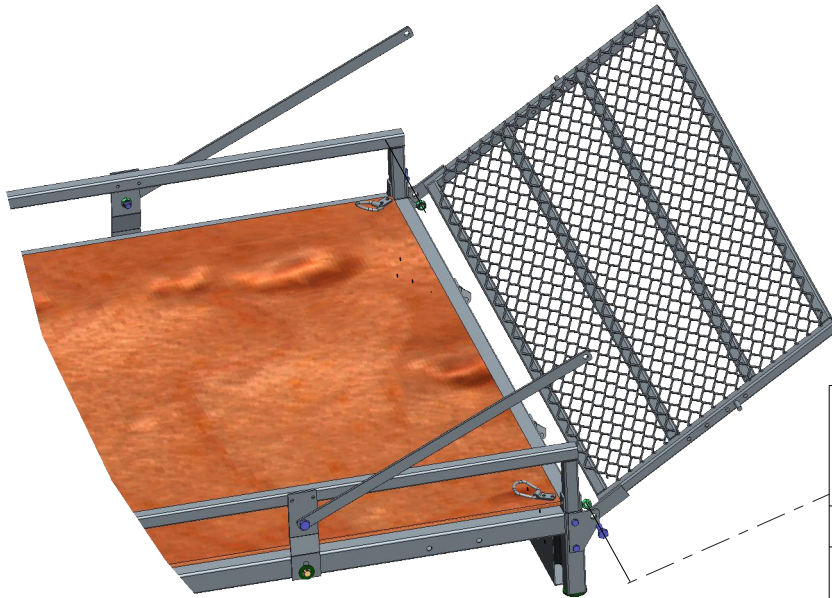
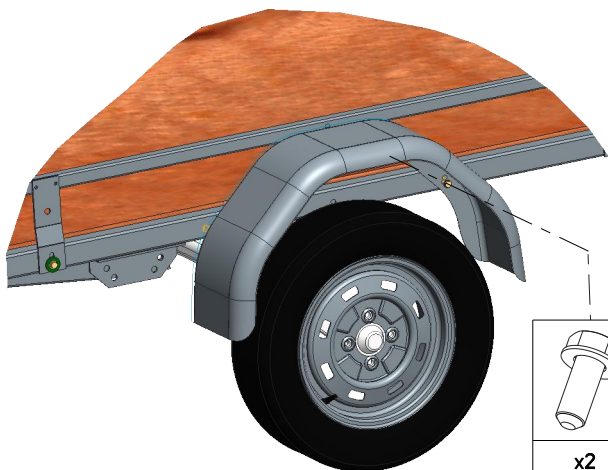


	x2	Ø13x49
	x2	Ø10
	x2	HM 10x45
SACHET VIS REMORQUE		

	
x2	x2
HM 10x50	Ø10

	
x4	x4
HM 8X25	Ø10X32

	x2	Ø13x49
	x2	Ø10
	x2	HM 10x60
SACHET VIS REMORQUE		

C**D****E**

SACHET VIS REMORQUE

F